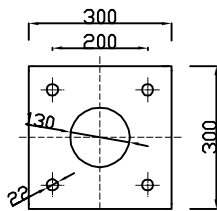
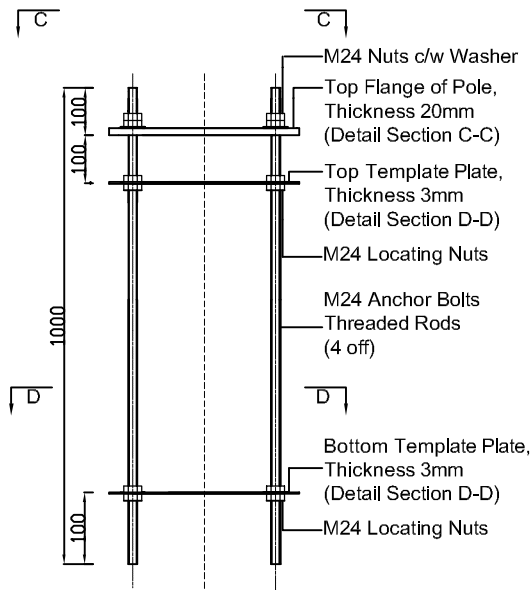
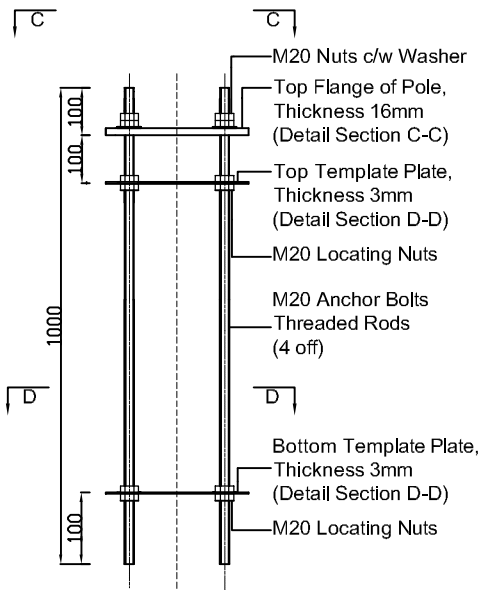


# Drawing 3

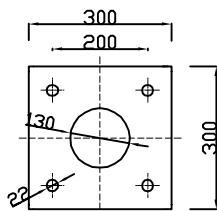
## Bolt Cage Assembly

Typical M20 Boltcage  
(300 x 300mm Flange)

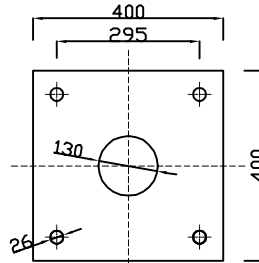
Typical M24 Boltcage  
(400 x 400mm Flange)



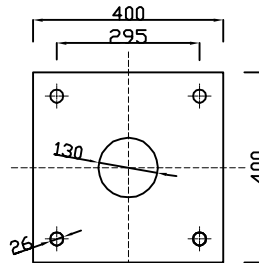
Section C-C



Section D-D

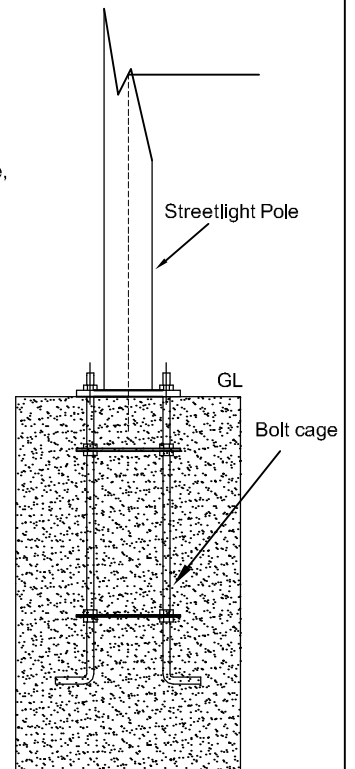


Section C-C



Section D-D

Bolt Cage as installed



Notes:

1. All steel Hot Dip Galvanised
2. Using fully threaded rods & nuts for easy assembly on site, simplifying transportation